

LP-RV

20W short pulse fiber laser system
for applications with extra small
characters and high contrast.



Information about the laser marking system series LP-RV

Highlights



Short pulse laser



Supports PROFINET



High degree of protection IP64



Direct linkage camera



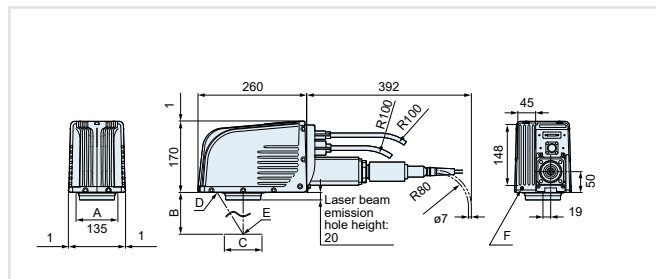
Removable laser head
3-unit configuration

Specifications

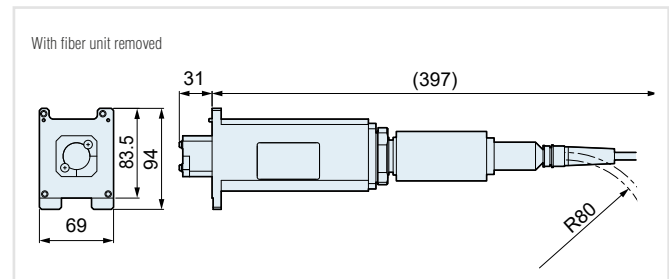
Model	Item	Standard
		LP-RV200P
Marking laser		Fiber laser $\lambda = 1060\text{nm}$, laser class 4
Guide laser		Semiconductor $\lambda = 655\text{nm}$, laser class 2, output class 1mW
Output class		20W
Pulse duration		1ns, 4ns, 8ns, 16ns, 30ns, 120ns, 200ns (user-defined settings)
Pulse cycle		0.5 μs to 500 μs
Marking field		90mm x 90mm
Work distance		190mm
System startup time		10s
Laser excitation time		1s
Scan method		Galvano scanner
Scan speed (max.)		12000mm/s
Line speed (max.)		240m/min
Workpiece positioning		Stationary and on-the-fly marking
Fiber cable length		2m
Power supply length		2m
Net weight	Laser head	8kg
	Oscillator unit	13kg
	Controller	28kg
Degree of protection (laser head)		IP64

Dimensions

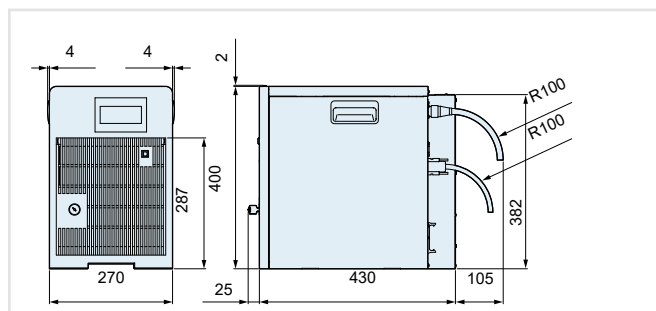
LP-RV200P laser head



LP-RV200P fiber unit



LP-RV200P controller



LP-RV200P oscillator

