

LP-RF

The best choice for uncomplicated 2D plastic and metal applications is the easy-to-use 20W fiber laser system.



Information about the laser marking system series LP-RF

Highlights

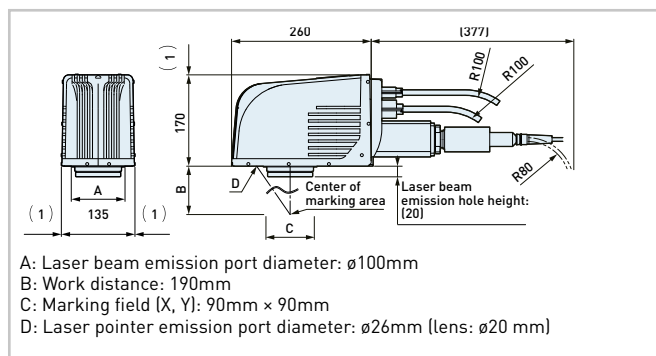
	Direct linkage camera		Supports PROFINET		High degree of protection IP64
	Removable laser head, 2-unit configuration		Free PC Software		High noise resistance

Specifications

Model	Item	Standard
		LP-RF200P
Marking laser		Fiber laser $\lambda = 1060\text{nm}$, laser class 4
Guide laser		Semiconductor $\lambda = 655\text{nm}$, laser class 2, output class 1mW
Output class		20W
Marking field		90mm x 90mm
Work distance		190mm
System startup time		10s
Laser excitation time		7s
Scan method		Galvano scanner
Scan speed (max.)		12000mm/s
Line speed (max.)		240m/min
Workpiece positioning		Stationary and on-the-fly marking
Fiber cable length		3m
Net weight	Laser head	8kg
	Controller	37kg
Degree of protection (laser head)		IP64

Dimensions

LP-RF200P laser head



LP-RF200P controller

